



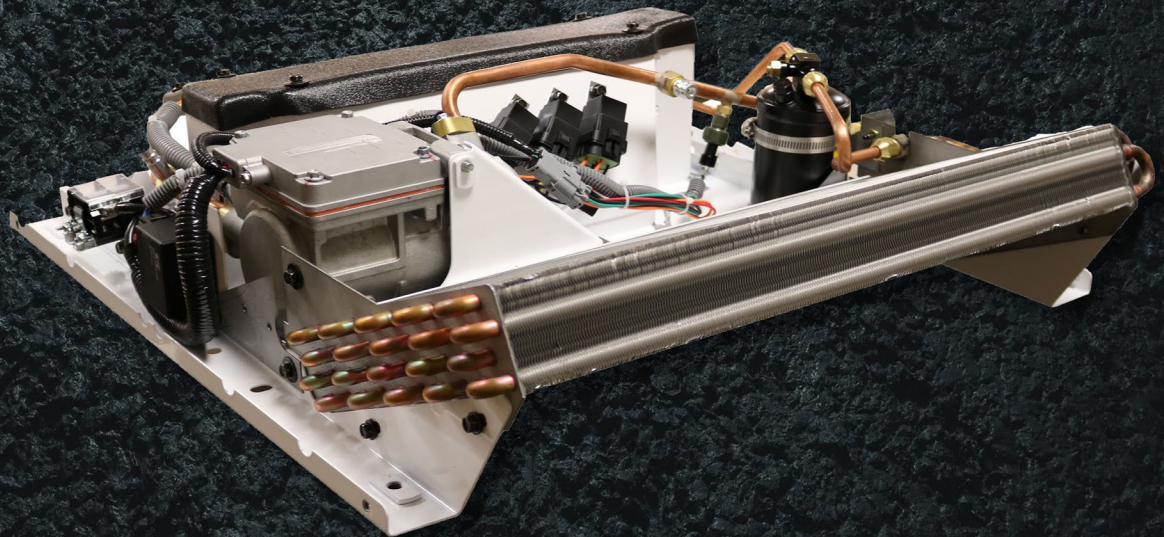
ELECTRIC AIR CONDITIONER

Red Dot Model

# E-6100

**ROOFTOP**

Red Dot has created an electric rooftop unit for use on heavy, medium and light duty trucks, construction and agricultural cabs. The E-6100 electric rooftop air conditioner is a self-contained unit incorporating a condenser, compressor and evaporator core.



## E-6100-0-12P

BTU 12V-11,900

Air Flow - 299 CFM

Weight 100lbs

Amp draw:

@100 deg - 83 Amps

@110 deg - 92.2 Amps

## E-6100-0-24P

BTU 24V-15,000

Air Flow - 299 CFM

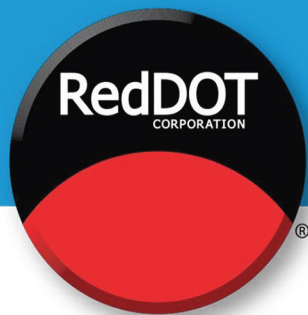
Weight 100lbs

Amp draw:

@100 deg - 94.2 Amps

@110 deg - 111 Amps

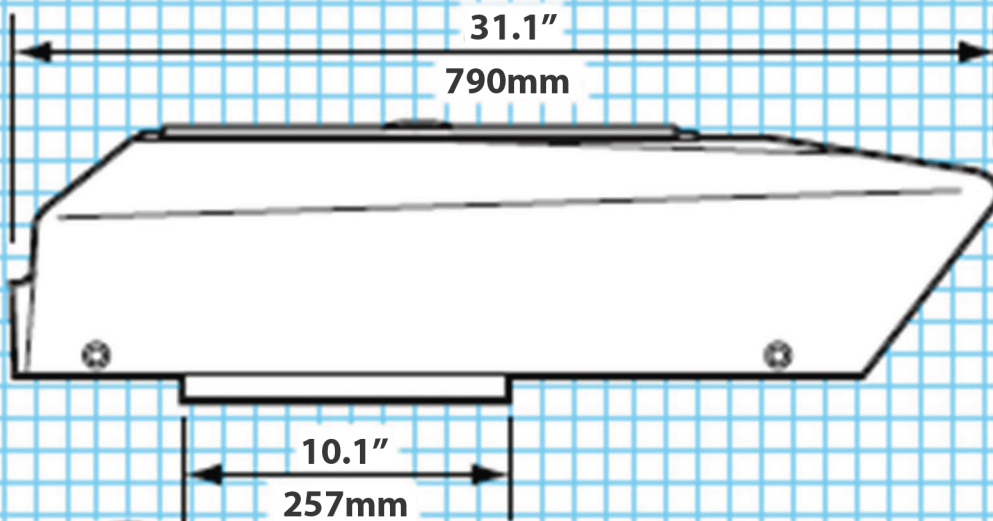
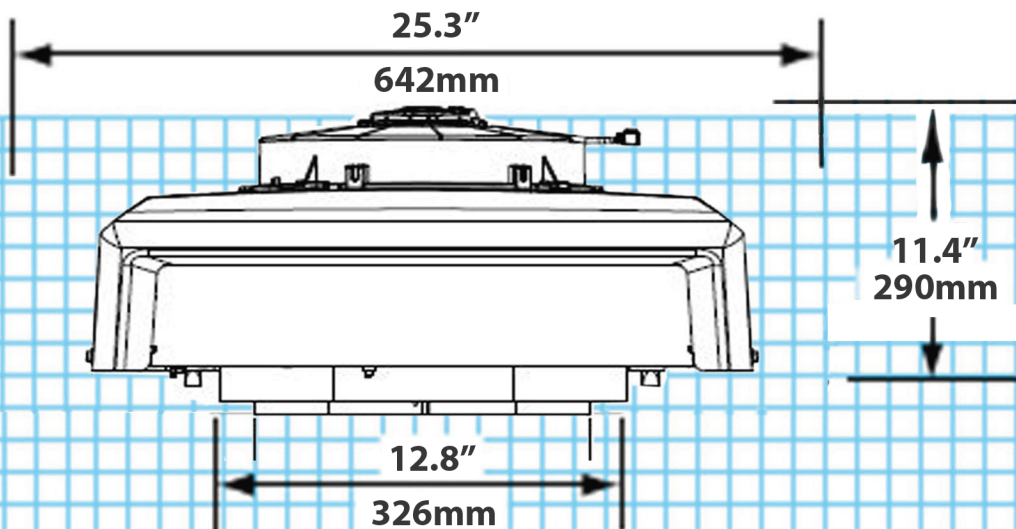




# ELECTRIC AIR CONDITIONER

Red Dot Model **E-6100**

**ROOFTOP**



A low profile plenum protrudes barely 1" into the cab and blends easily into the headliner leaving ample head room.

Frigid, high-velocity air can be directed 360 through the large diffusers located directly below the double blowers. Also featured is a cab air filter incorporated into the plenum.